

topaLit[®]
AUSTRIA

Designed
TO RESIST



Designed TO RESIST

WINDOWSILLS – ROBUST & ATTRACTIVE

The name Topalit® stands for exceptional-quality products made in Austria and inspiring windowsill designs. The basis for our success for the last 50 years has been a proven production process in which wood chips and melamine resin paper films are pressed to form a joint-free, high pressure moulded part.

Our windowsills speak for themselves and are:

- highly abrasion resistant & resistant to building moisture
- available in many decors – from timeless classics to fresh novelties – as well as with different surface structures
- suitable for every installation situation and every customer requirement, even the most demanding ones.

Innovative features such as the scratch-resistant, durable XD Surface® as well as the antibacterial XS Surface® and sustainability in the production complete the benefits of Topalit® products.

Unique at Topalit®



Our scratch-resistant, durable XD Surface® impress through top values – tested and confirmed by independent wood research institutes and laboratories.



Speaks for itself:

30 YEARS GUARANTEE

DURABLE & SOPHISTICATED

When experience meets the highest quality standards, we are talking about interior windowsills from Topalit® – based on our special process that ensures high-pressure moulded parts with unique properties. We are so convinced of this that we give a 30-year guarantee.

Why Topalit®? No need for questions – Here are the answers:

- Joint-free product with integrated moulded edge
- Scratch- and impact-resistant XD Surface® – guarantees durability
- UV light-resistant
- Building-moisture-resistant (tested acc. to EN317 – V70 procedure)
- Made from PEFC-certified wood and high-quality resins
- Densified, homogenous material core for high shape stability
- Multi-layer melamine resin paper film fused irremovably to the material core
- Easy installation with a perfectly matched range of accessories
- Customised cutting on request

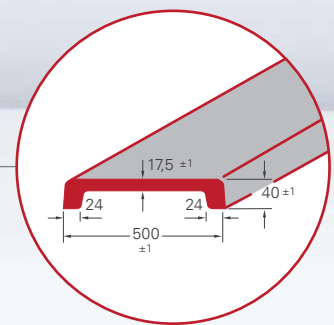
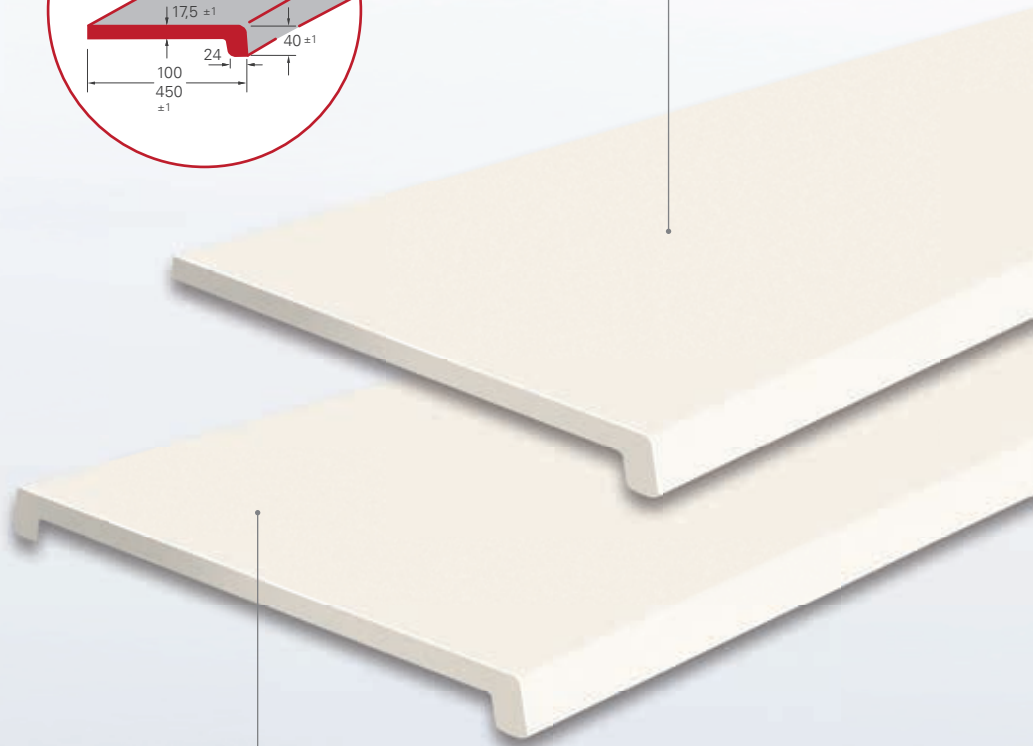
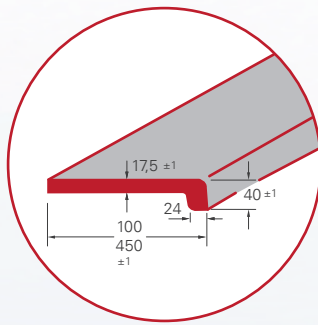


MONO

RELIABLE & TIMELESS

A classic that stands the test of time and promises what it stands for: Environmental friendliness combined with functionality. MONO is moulded in one piece and scores points for its resistance to building moisture.

- Weather groove | 40 mm
- Standard length | 5,6 m
- Width | 100 to 500 mm, available as standard in 50 mm intervals
- Provided joint-free with one- or two-sided edge
- Ideal for renovations

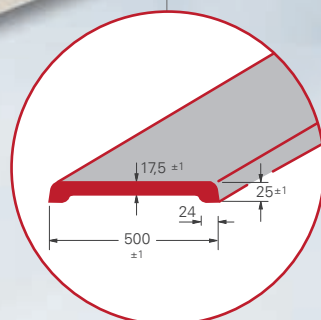
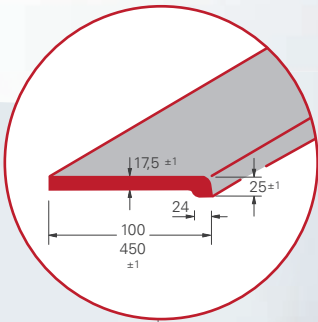


SLIMLINE

REDUCED & STYLISH

The 'lightness of being' in a nutshell – this is what SLIMLINE represents. Elegance which is undoubtedly reflected in the shape. With SLIMLINE, indoor windowsills move into the spotlight – and deservedly so.

- Weather groove | 25 mm
- Standard length | 5,6 m
- Width | 100 to 500 mm, available as standard in 50 mm intervals
- Provided joint-free with one- or two-sided edge

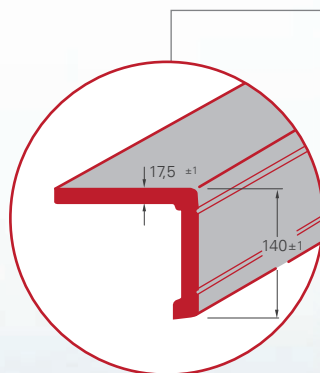
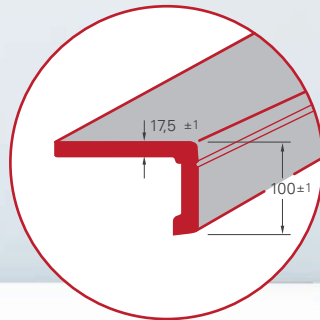
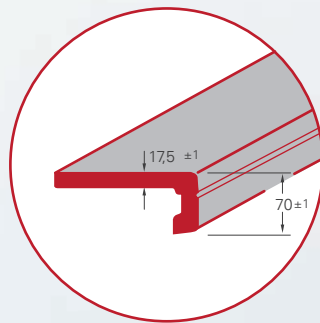


MORE

AESTHETIC & VERSATILE

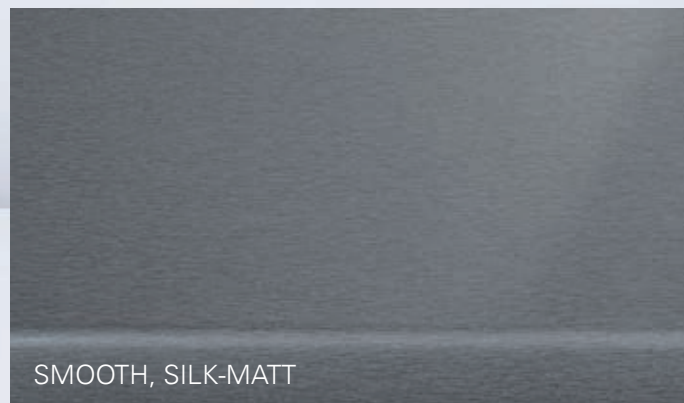
An indoor design element which unfolds a subtle charm. MORE represents more possibilities, more visual open space and more individuality. Indoor windowsills which simply offer more personality.

- Weather groove | 70, 100 & 140 mm
- Standard length | 4,4 m
- Width | 150 to 450 mm, available as standard in 50 mm intervals
- Ideal for renovations
- Height offers suitability for covering installations and cables



Designed TO FEEL GOOD

SURFACE STRUCTURE

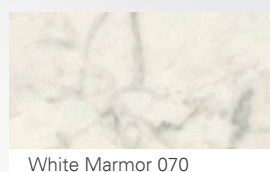
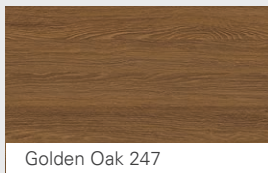
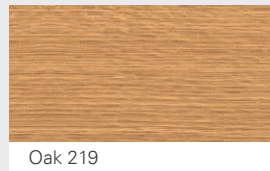
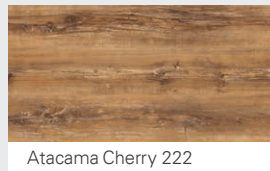
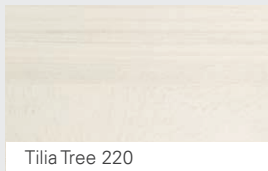


STYLISH & UNMISTAKEABLE

Surfaces which give windowsills a unique feel - and create a stylish character for individual room settings.

Our wood, stone and colour décors range from elegant to subtle and modern, encompassing different tastes and always attracting the eye.

MONO, SLIMLINE* and MORE



* The following decors are currently available as Slimline: Pure White, Weiß, Dark Slate, White Marmor, Brushed Silver
Any other decors upon request!

High PRODUCTION STANDARDS, naturally



SUSTAINABLE & PERFECTED

What defines our perfected production process:

- Significantly greater compression of the core material (compared to chip board)
- Sealing with an exceptionally high resin content
- The panel and coating are compression-moulded in one piece under high pressure and high temperatures to create an inseparable, stable whole.

Processing of the very best Austrian wood takes place at our production plant in Ampflwang.



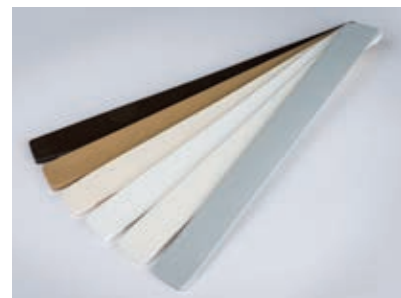
Profile side caps



ABS-edge



Customised laminate strips
(45 x 510 mm) or rolls
(25 m) and ABS edge



Side caps

PRODUCT ADVANTAGES

Sustainable & high quality

Our windowsills impress with numerous advantages across the board:



XD SURFACE®



PEFC-CERTIFIED



E1-CERTIFIED



MADE IN AUSTRIA



ENVIRONMENTALLY-FRIENDLY



RESISTANT TO BUILDING
MOISTURE



JOINT-FREE SURFACE



BREAK AND IMPACT-RESISTANT



HEAT-RESISTANT



LOW MAINTENANCE



RESISTANT TO CIGARETTE
BURNS



UV LIGHT-RESISTANT



30-YEAR GUARANTEE



LFGB-CERTIFIED



OUR SERVICE FOR YOU

On request, the windowsills can be individually cut to size in our own commissioning hall – a Topalit® service that saves you time and effort. You can also benefit from our optimally coordinated range of accessories, which guarantees quality down to the last detail.

Designed
TO RESIST

Edition 1 / 2023/24 / 91117

The reprinting or reproduction of this text, including excerpts, is only permitted with the publisher's prior consent. Printing errors excepted. Subject to technical modifications.

R.U.P. .at